

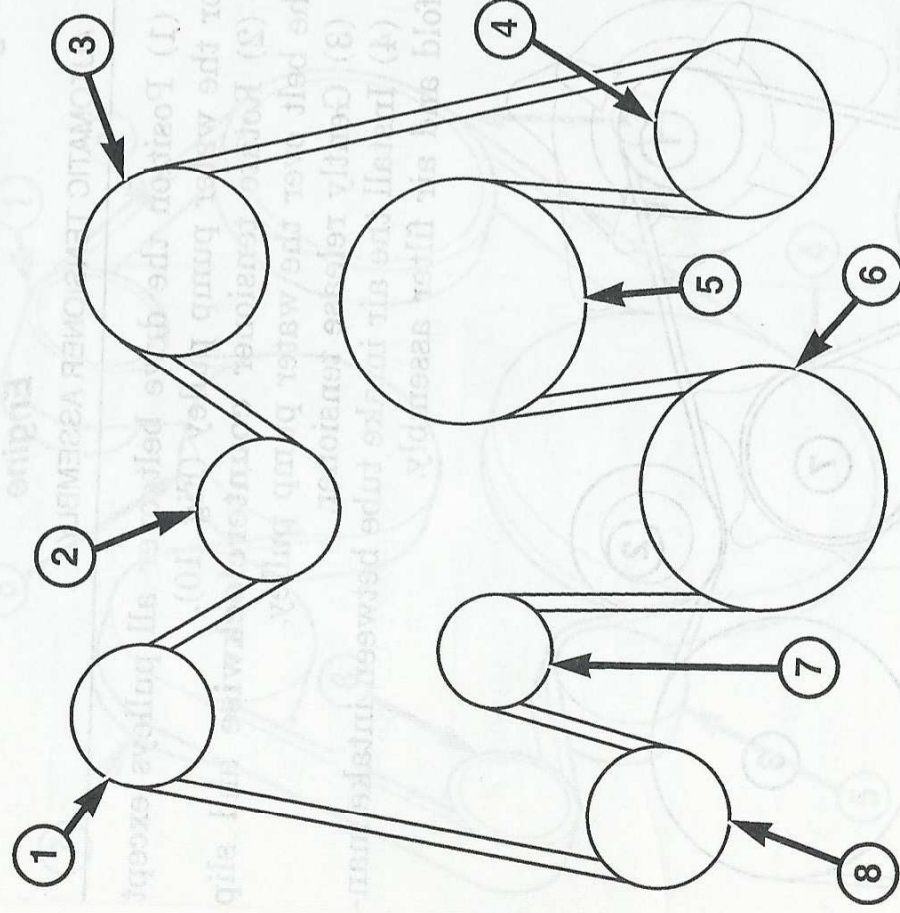
## 5.9L DIESEL ENGINE

**CAUTION:** When installing the accessory drive belt, the belt must be routed correctly. If not, engine may overheat due to water pump rotating in wrong direction. Refer to (Fig. 11) or (Fig. 12) for correct engine belt routing. The correct belt with correct length must be used.

(1) Position drive belt over all pulleys **except** water pump pulley.

(2) Attach a 1/2 inch ratchet to tensioner.

(3) Rotate ratchet and belt tensioner clockwise. Place belt over water pump pulley. Let tensioner rotate back into place. Remove ratchet. Be sure belt is properly seated on all pulleys.

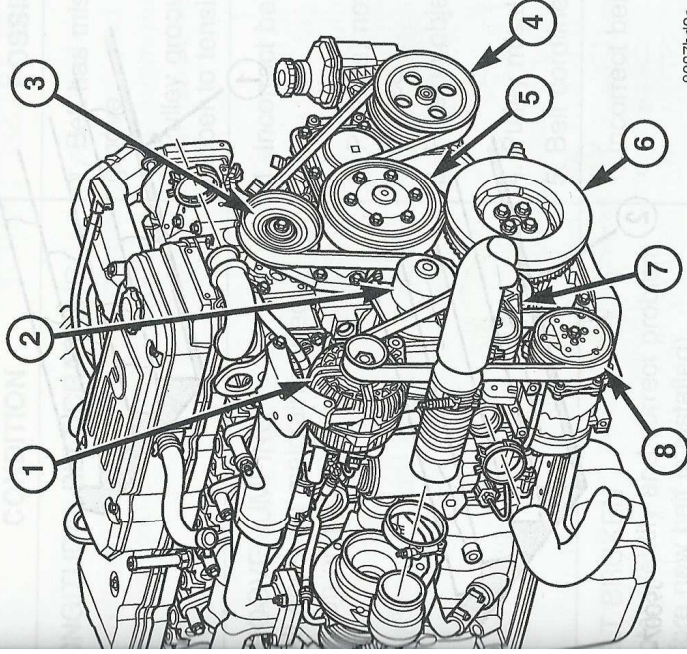


8087bfc2

**Fig. 11 Belt Routing-5.9L Diesel Engine**

- 1 - GENERATOR PULLEY
- 2 - WATER PUMP PULLEY
- 3 - IDLER PULLEY
- 4 - POWER STEERING PUMP PULLEY
- 5 - RADIATOR FAN PULLEY
- 6 - CRANKSHAFT PULLEY
- 7 - AUTOMATIC TENSIONER
- 8 - A/C COMPRESSOR PUMP PULLEY



**TENSIONER-BELT (Continued)**

8087bd2c

**Fig. 4 Accessory Drive Belt**

GENERATOR  
 WATER PUMP  
 TENSIONER  
 POWER STEERING PUMP  
 RADIATOR FAN PULLEY  
 CRANKSHAFT  
 AUTOMATIC TENSIONER  
 A/C COMPRESSOR

(3) Install accessory drive belt (Refer to 7 - COOLING/ACCESSORY DRIVE/DRIVE BELTS - INSTALLATION).

(4) Check belt indexing marks (Fig. 1).

**5.7L ENGINE**

(1) Install tensioner on to the mounting bracket. Tighten bolt to 41 N·m (30 ft. lbs.).

(2) Install tensioner and bracket assembly

(3) Install accessory drive belt (Refer to 7 - COOLING/ACCESSORY DRIVE/DRIVE BELTS - INSTALLATION).

**5.9L DIESEL**

(1) Install tensioner assembly to water inlet bracket. A dowel is located on back of tensioner. Align this dowel to hole in tensioner mounting bracket. Tighten bolt to 43 N·m (32 ft. lbs.) torque.

(2) Install drive belt (Refer to 7 - COOLING/ACCESSORY DRIVE/DRIVE BELTS - INSTALLATION).

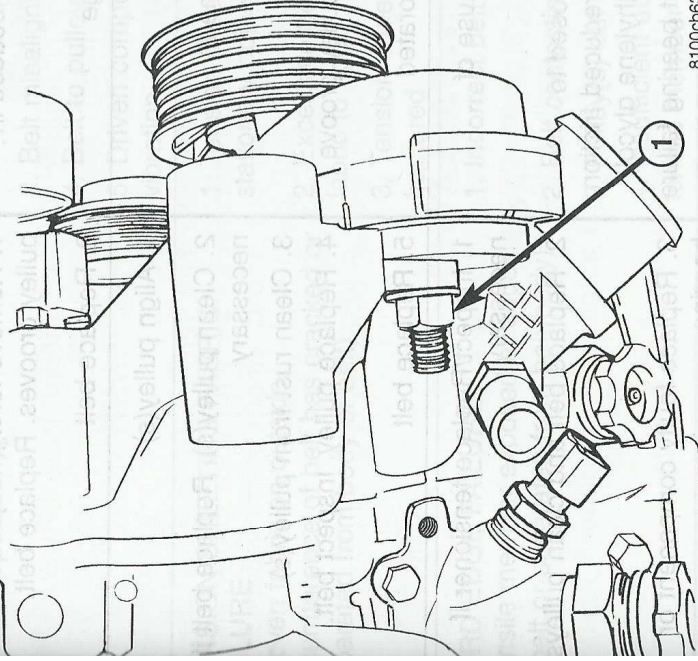
**SRT10**

**NOTE: When installing accessory drive belt onto pulleys, make sure that belt is properly routed and all V-grooves make proper contact with pulleys.**

(1) Install tensioner and mounting nut. Torque mounting nut to 41 N·m (30 ft. lbs.).

(2) Install accessory drive belt (Refer to 7 - COOLING/ACCESSORY DRIVE/DRIVE BELTS - INSTALLATION).

(3) Install the air intake tube between intake manifold and air filter assembly.



8100cb63

**5 Accessory Drive Belt Tensioner Mounting Nut**  
MOUNTING NUT